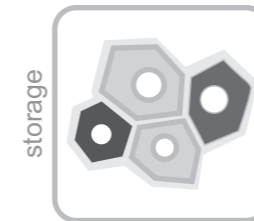
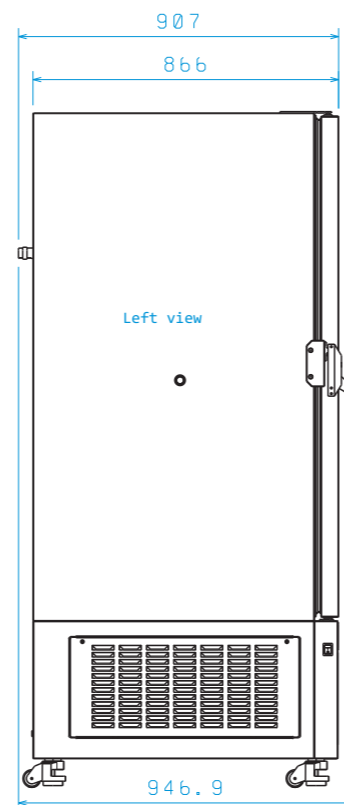
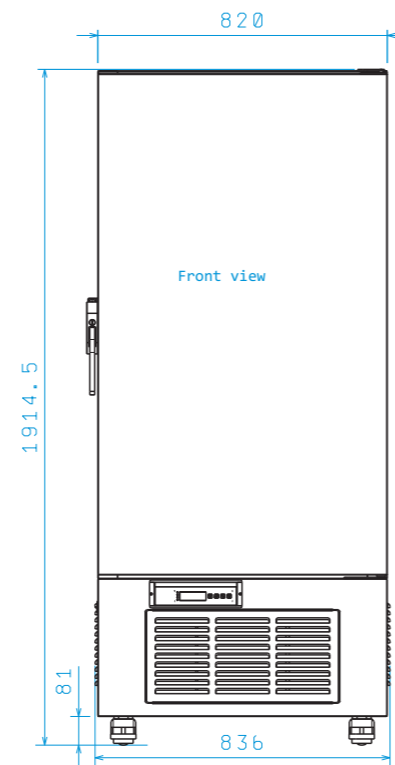


## Technical data

Parameter	ZLN-UT 300	
air convection	natural	
chamber capacity [l]	322	
number of boxes 133x133x53mm [pcs]	192	
door type	double, solid	
temperature range [C°]	-40 ...-86	
cooling time from +25 C° to -86 C° [h]	6	
heating time in case of power failure -80 C° to - 60 C° [h]	3	
controller	microprocessor with external LCD graphic display	
interior	COMF	stainless steel to DIN 1.4016
	PREM	stainless steel to DIN 1.4301
housing	powder coated sheet	
overall dims [mm]	width	820
	height	1915
	depth	947 with handle
internal dims [mm]	width	520
	height	1120
	depth	554
max unit workload [kg]	80	
max shelf workload [kg]	10	
nominal power [W]	670	
energy consumption 24h [kWh] in -80 °C	14,9	
weight [kg]	200	
temperature resolution [C°]	every 0,1	
temperature fluctuation [C°]	2,5	
temperature variation [C°]	10	
voltage	230 V 50 Hz	
number of internal chambers	4	
internal chamber dims [mm]	width	520
	height	237
	depth	554
warranty	24	
manufacturer	POL-EKO-APARATURA	



Want to see more?  
Watch our  
company video!

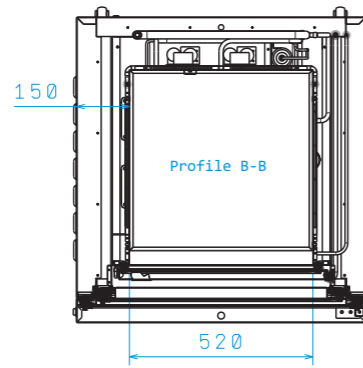
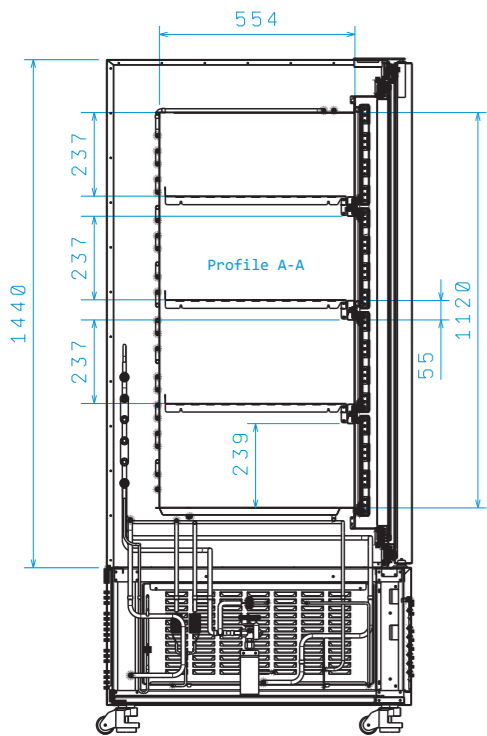


POL-EKO APARATURA sp.j.  
ul. Kokoszycka 172C  
44 - 300 Wodzisław Śląski  
Tel: +48 32 453 91 70  
Fax: +48 32 453 91 85  
E-mail: export@pol-eko.com.pl  
www.polekolab.com  
www.pol-eko.eu

ZLN-UT  
300

Ultra - low Freezers

# Ultra - low Freezers ZLN-UT 300



temperature range  
-40°C ... -86°C

interior  
stainless steel

4 internal chambers  
with dimensions:  
width 520mm  
height 237mm  
depth 554mm

chamber capacity 322l

housing  
powder coated sheet

access port (30mm)

interface RS 232  
interface USB

4 internal solid doors

solid door

door lock

boxes  
chamber capacity 192 pcs.  
size 133x133x53 mm



open door alarm

wheels in standard

- Controller:**
- graphic LCD display with illuminated buttons
  - temperature control
  - operating with temperature priority mode
  - adjustable start delay feature (1 min...99:59 h)
  - adjustable hold at set point time for temperature from 1min to 999:59 h or continuous operating
  - overview of set and current parameters while operating
  - recording of min, average and max temperature value for each segment
  - audible and visual temperature alarm
  - temperature sensor fail alarm
  - real-time clock
  - digital timer
  - auto-diagnostic function
  - internal memory to store up to 2046 data records
  - power failure control system (program continued after restoring power)
  - controller spare batteries in case of power failure- alarm output
  - additional port for installation of CO2 & Pt100 backup

